

Effective Utilization of IPC on search



ZHENG Jie, SIPO

Dec. 2013



Contents

1 Introduction

2 IPC's Advantages on Search

3 Search Example



1 Introduction



When We Need Patent Searches

- R&D planning
- Economic investment
- Country or enterprise statistics
- Patent examination
- Patent Disputes
-



Challenges

- Over 80,000,000 patent documents available for retrieve
- More than 1,000,000 patents were issued each year in the last ten years
- More than 100 countries, different languages



Primary Objective of IPC -Effective Search Tool

- 70,000 entries
- 62 members of IPC Union
- More than 100 countries are using IPC

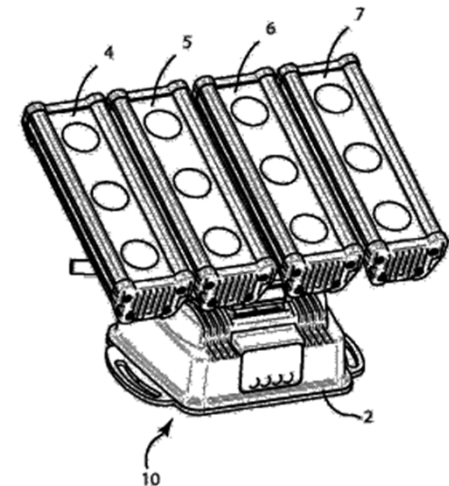
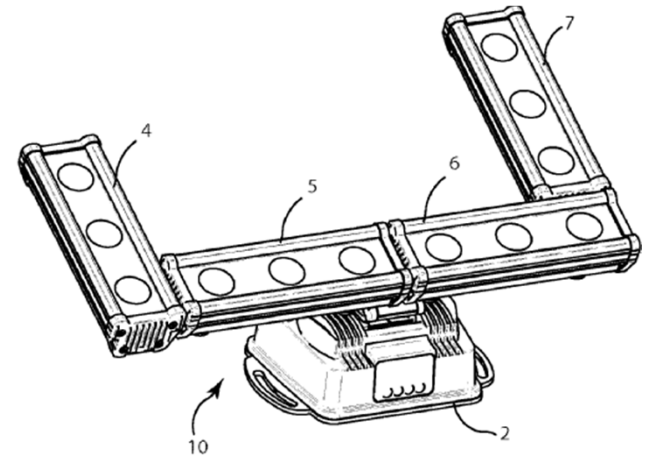
Classification Rule-Example

■ Invention information:

- I1: A luminaire with a plurality of fixable modules which can be configured and fixed in one configuration and reconfigured and fixed in a variety of different configurations.

■ Additional information:

- A1: used in entertainment and architectural lighting environments such as theater, TV studio, concert.
- A2: LED luminaire



Example (Con.)

| | | |
|----|--------------|---|
| I1 | F21S 2/00 | Systems of lighting devices, not provided for in main groups F21S 4/00-F21S 10/00, e.g. of modular construction |
| | F21V 21/005 | . for several lighting devices in an end-to-end arrangement, i.e. light tracks |
| A1 | F21W 131/406 | . . for theatres, stages or film studios |
| A2 | F21Y 101/02 | . Miniature, e.g. light emitting diodes (LED) |

Int Cl.

F21S 2/00 (2006.01)

F21V 21/005 (2006.01)

F21W 131/406 (2006.01)

F21Y 101/02 (2006.01)

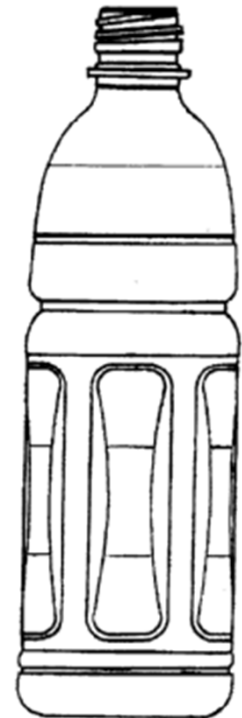


2 IPC's Advantages on Search



Language Independent

- Bottle, container, 瓶子
- B65D 1/02 .Bottles or similar containers with necks or like restricted apertures, designed for pouring contents





Completeness

- (vegetable+ or fruit+ or veg) and (peeler or peeling or pare or paring) and (home or house+)
(80)

- A47J17 (including subgroups) (2180)

A47J 17/00 Household peeling, stringing, or paring implements or machines (for foodstuffs in bulk A23N)

A47J 17/02 . Hand devices for scraping or peeling vegetables or the like

A47J 17/04 . . Citrus fruit peelers

.....



Precision

- Radiator (41992)
 - A hollow device for heating rooms
 - A device for cooling the engine of a vehicle

- F28 Heat Exchange In General (6442)
 - (Title=radiator) and (IC=F28)



3 Search Example

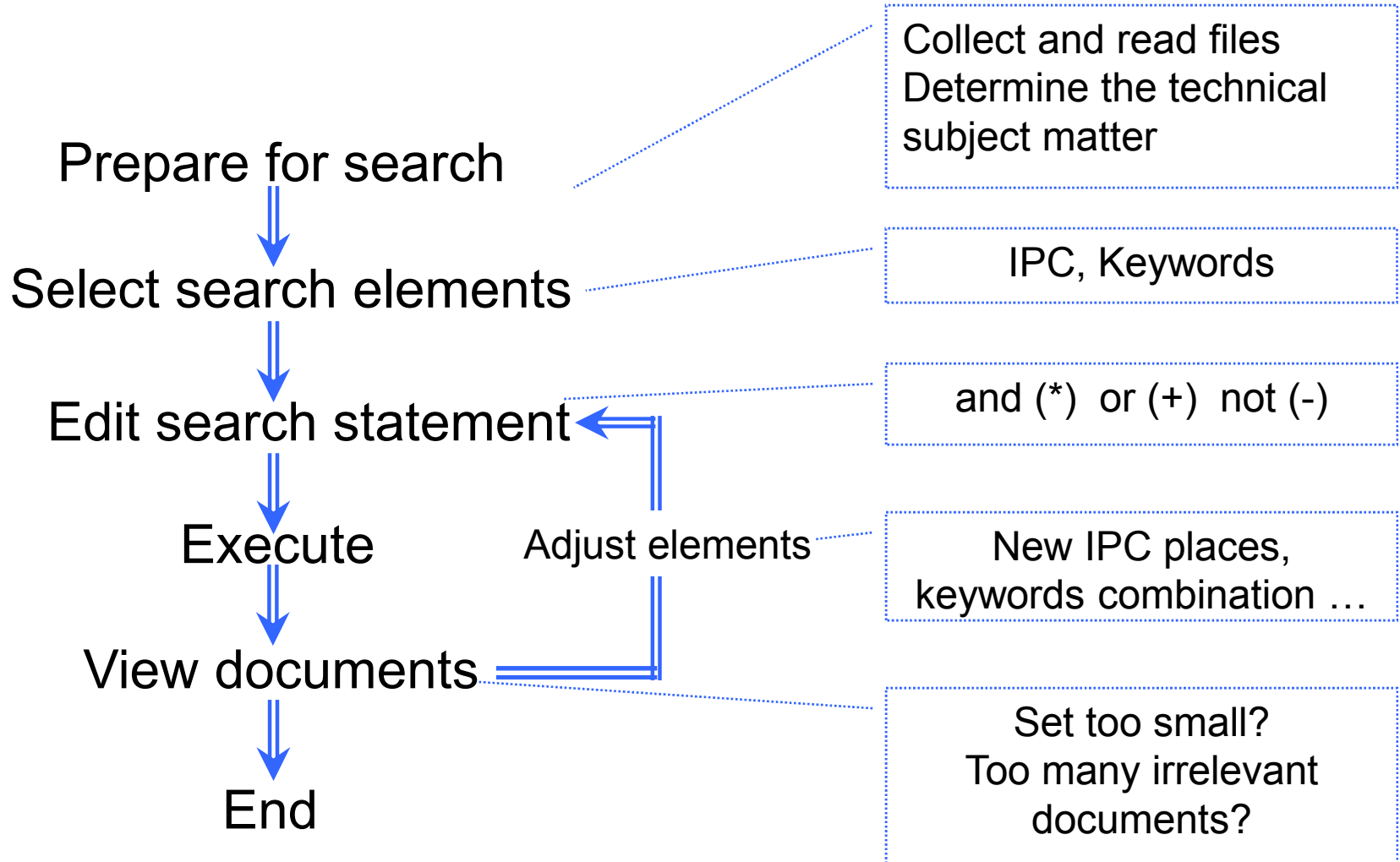


Types of Patent Searches

- Novelty or patentability searches
- Infringement searches
- Informative searches
-



Search Procedure





Select Basic Search Elements

- Technical subject: juice extractor
- Juicer; extracting juice; ...

- IPC
 - Quick search (TI=juice and extractor)
 - Terms search
 - Catchword Index
 - IPCCAT



http://web2.wipo.int/ipcpub/#refresh=page

IPC Home Page - Help

Version: 2013.01

Current symbol: [input field]

Go to: [input field]

Language: English (selected), French, English/French

View mode: path, full (selected), hierarchic

Deleted entries, Subclass indexes, Guidance Headings, Notes

Search: Terms (highlighted), Cross-references

Assistance: STATS, Text categorization (IPCCAT)

Number of displayed entries: 500

Scheme RCL Compilation Catchwords Corrigendum

A SECTION A — HUMAN NECESSITIES

B SECTION B — PERFORMING OPERATIONS; TRANSPORTING

C

D

E

F

G

H

APONS;

IPC Terms search - ipcpubprep v4.1 - Windows Internet Explorer

http://web2.wipo.int/ipcpub/search/fulltext/#version=20130101&lang=en

IPC Terms search
Version 2013.01 - English

Word(s): extract+

Warning: AND, OR, NOT, +, -, double quotes and ~ operators are ignored when using Path option.

Stemming

Limit to: [input field]

Exclude: [input field]

| <input checked="" type="checkbox"/> Scheme | <input checked="" type="checkbox"/> Path | <input checked="" type="checkbox"/> Definition | <input checked="" type="checkbox"/> Catchwords |
|--|--|--|--|
| A01G 23/06 | | A01D | ANTIBIOTIC(S) |
| A01K 59/06 | | A23F | BEE(S) |
| A01N | | A23L | BUSH(ES) |
| A01N 61/02 | | A47J | CELLULOSE |
| A01N 65/00 | | B01D | CIRCLIPS |
| A21D 2/38 | | B01D 15/00 | COLLAR(S) |
| A23F 3/06 | | B01J | COTTERPINS |
| A23F 3/16 | | B04B | DISTILLATION |
| A23F 3/18 | | B04C | EXTRACTING |
| A23F 3/22 | | B42D | FATS |
| A23F 3/30 | | B42D 3/00 | FATTY OILS |
| A23F 3/34 | | B66B | FRUIT |
| A23F 3/36 | | C01B 25/46 | GELATIN |
| 177 - 1/2 - >> | | 28 | 36 |

Display results



Version

2013.01

Current word

EXTRACT

Go

Language

English

French

Previous

Next

Index

Search

Terms

Cross-references

Last modified: 2013.11.28

Prepared with IPCPUBPREP v 4.1

EXTRACTING

EXTRACTING articles from boreholes [E21B 23/00](#), [E21B 25/00](#)

EXTRACTING of container closures [B67B 7/00](#)

EXTRACTING juices from fruits or vegetables [A23N 1/00](#)

EXTRACTING metal compounds from ores [C22B 3/00](#)

EXTRACTING of metal parts or objects [B23P](#), [B25B 19/00](#)

EXTRACTING of nails, spikes or staples [B25C 11/00](#)

EXTRACTING of pen-nibs [B43K 13/00](#)

EXTRACTING of teeth or of crowns thereof [A61C 3/14](#), [A61C 3/16](#)

EXTRACTING tree stumps [A01G 23/06](#)

household implements for EXTRACTING juices from fruits or vegetables [A47J 19/00](#)

making tobacco-extracts [A24B 15/24](#)

presses for EXTRACTING liquids [B30B 9/02](#)

EXTRUDING

EXTRUDING of clay or other ceramic compositions or cementitious material

EXTRUDING foodstuff [A23P 1/12](#)

EXTRUDING in making electric cables [H01B 13/00](#)

EXTRUDING of layers in the making of layered products from plastics or subs

EXTRUDING of layers in the making of layered products in general [B32B 37/00](#)

EXTRUDING of metal [B21C 23/00-B21C 35/00](#)

EXTRUDING of metal for continuous casting [B22D 11/00](#)

EXTRUDING of plastics or substances in a plastic state [B29C 47/00](#)

EXTRUDING of sheathing or armouring on to electric cables or conductors [H01B 13/24](#)

EXTRACTING juices from fruits or vegetables A23N1/00

household implements for EXTRACTING juices from fruits or vegetables A47J 19/00

IPC - Windows Internet Explorer

International Patent Classification Assistant - Windows Internet Explorer

https://www3.wipo.int/ipccat/

文件(F) 编辑(E) 查看(V) 收藏夹(A) 工具(T) 帮助(H)

IPC Home Page

Version: 2013.01

Current symbol: []

Go to: []

Language: English, French, English/French

View mode: path, full, hierarchic

Deleted entries: Deleted entries, Subclass index, Guidance Headings, Notes

Search: [] Terms, [] Cross-reference

Assistance: [] STATS, [] Text categorization (IPCCAT)

Number of displayed entries: 500

IPCCAT - Categorization Assistant in the International Patent Classification (version 2012.01)

This is a categorization assistance tool for the International Patent Classification system. It is mainly designed to help to classify patents at IPC class, subclass or main group level.

Classification Request Form

Choose the document to categorize:

[] 浏览... Supported formats

Or paste in the text below a quote from the document to categorize:

[]

Number of predictions: 3 Classification level: Maingroup

- Class
- SubClass
- Maingroup

Classify

Internet 100%



| Scheme | RCL | Compilation | Catchwords | Corrigendum |
|---------------------------|-----|--|------------|-------------|
| A23N 1/00 | | | | |
| | | Machines or apparatus for extracting juice (preparation of non-alcoholic beverages, e.g. by adding ingredients to fruit or vegetable juices, A23L 2/00; apparatus for making beverages A47J 31/00; extracting presses B30B) | | |
| A23N 1/02 | | · combined with disintegrating or cutting | | |
| A23N 3/00 | | Machines for coring or stoning fruit, characterised by their feeding device (A23N 4/00 takes precedence) [2] | | |
| A23N 3/02 | | · with feeder-drums | | |
| A23N 3/04 | | · with endless feeder-belts | | |
| A23N 3/06 | | · with feeder-tables | | |
| A23N 4/00 | | Machines for stoning fruit or removing seed-containing sections from fruit, characterised by their stoning or removing device (for peeling fruit and removing seed-containing sections A23N 7/08; domestic devices for stoning fruit A47J 23/00, for coring fruit A47J 25/00) [3] | | |
| A23N 4/02 | | · for stoning fruit [2] | | |
| A23N 4/04 | | ·· for peaches, plums, apricots or the like [2] | | |
| A23N 4/06 | | ·· for cherries or the like (A23N 4/04 takes precedence) [2] | | |
| A23N 4/08 | | ·· for dates, olives or the like oblong fruits [2] | | |
| A23N 4/10 | | ·· for fruit with very small pips e.g. raisins [2] | | |
| A23N 4/12 | | · for coring fruit [2] | | |
| A23N 4/14 | | ·· for apples, pears or the like [2] | | |
| A23N 4/16 | | ·· for tomatoes or the like [2] | | |
| A23N 4/18 | | ·· for citrus fruits [2] | | |
| A23N 4/20 | | ·· for pineapples [2] | | |
| A23N 4/22 | | · for both splitting and stoning [2] | | |
| A23N 4/24 | | · for removing seed-containing sections from cut fruit [2] | | |



Search Table

| IPC | Keywords |
|---|--|
| A23N1/00, A23N1/02, A47J19/02, A47J19/06 | juicer |
| | juice, fruit, vegetable... |
| | extractor, extracting, squeezer, presser... |



Edit Search Statements

- IC= A23N1+ or A47J19/02 or A47J19/06
- KW= juicer or ((juice or fruit+ or veg or vegetable+ or ...) and (extract+ or squeez+ or press+ or ...))
-



Adjust Search Elements

■ Similar function

C13B 10/00 Production of sugar juices

C13B 10/02 · Expressing juice from sugar cane or similar material,
 e.g. sorghum saccharatum

C13B 10/04 · · combined with imbibition

.....

B30B 9/00 Presses specially adapted for particular purposes

B30B 9/02 · for squeezing-out liquid from liquid-containing material, e.g. juice
 from fruits, oil from oil-containing material

B30B 9/04 · · using press rams

.....



Enhanced search table

| IPC | Keywords |
|---|--|
| A23N1/00, A23N1/02, A47J19/02, A47J19/06 C13B10/00 ... | juicer |
| | juice, fruit, vegetable... |
| B30B9/02 B30B9/04 ... | extractor, extracting, squeezer, presser, express... |



Adjust Search Statements

- IC= C13B10/00 or ...
- (IC=B30B9/0+ or B30B9/1+ or B30B9/2+) and KW=(juice+ or fruit+ or veg or vegetable+ or ...)



Thank you for your attention!